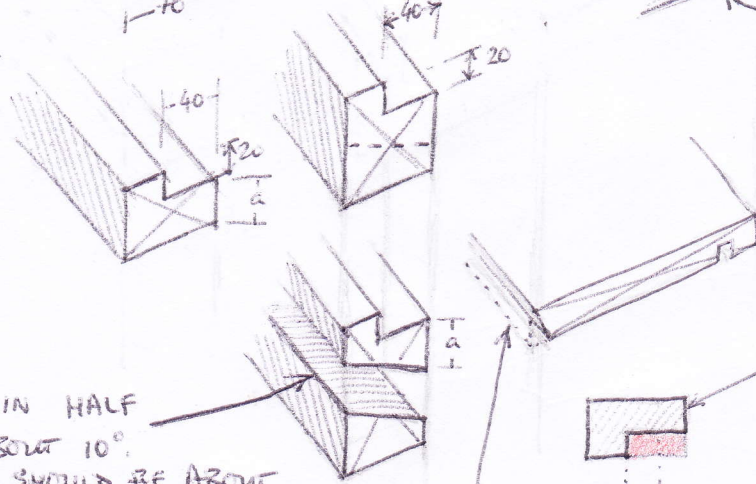


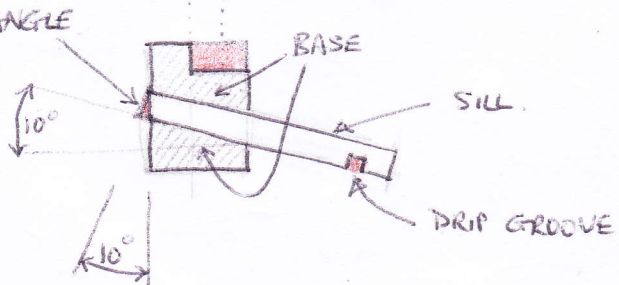
USE ROUTER OR CIRCULAR SAW TO MAKE A "DRIP GROOVE" ALONG THE UNDERSIDE OF THE FRONT OF THE SILL

USE ROUTER OR TABLE SAW TO REMOVE STRIPS SHADED RED.

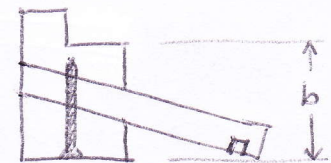
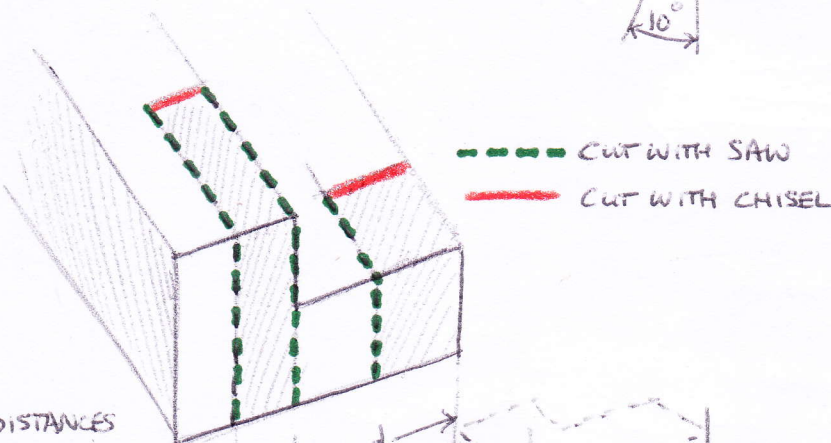


CUT BASE IN HALF ANGELED AT ABOUT 10°. DISTANCE "a" SHOULD BE ABOUT THE SAME AS "a" ON TOP AND SIDES.

CUT BACK OFF SILL AT SAME ANGLE



SIDE VIEW SECTION THROUGH WINDOW

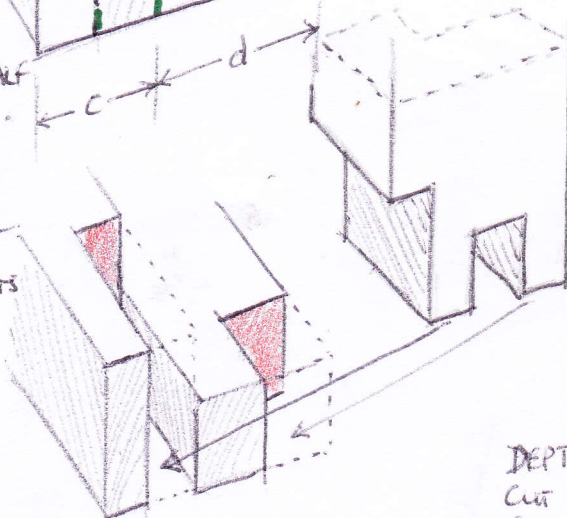


GLUE AND SCREW SILL INTO BASE. MAKE SURE SCREWS ARE SHORTER THAN "b".

DIVIDE DISTANCES "c" AND "d" IN HALF AND MARK LINES.

CUT OUT USING SAW AND CHISEL.

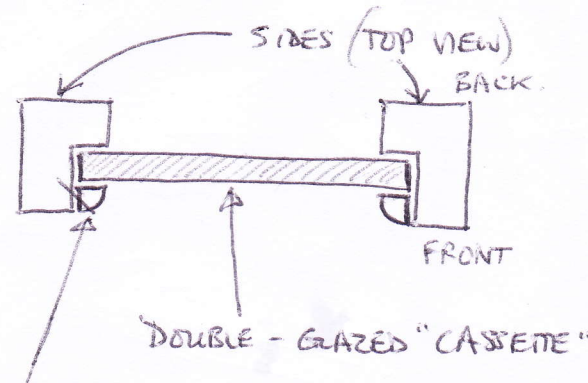
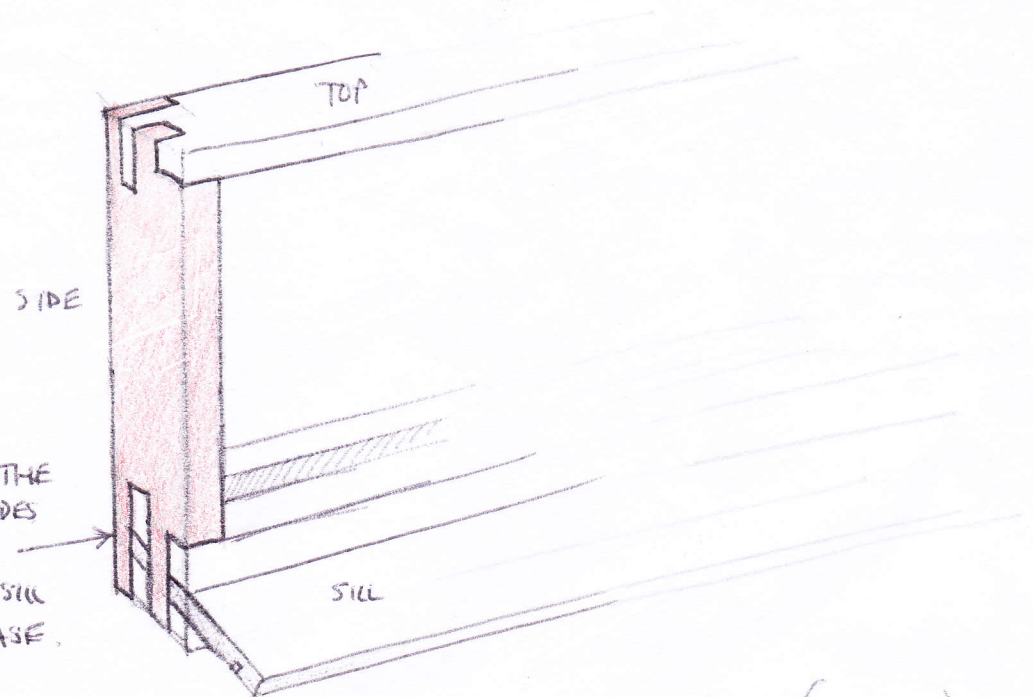
DEPTH OF SAW CUTS WILL VARY - "c" WILL BE LONGER



DEPTH OF CUT TO SUIT WIDTH

TOP VIEW OF JOINT

THE "FINGERS" AT THE BOTTOM OF THE SIDES WILL BE LONGER BECAUSE OF THE SILL AND DEEPER BASE.



GLASS HELD IN PLACE WITH TIMBER "QUADRANT" BEADS

